



Turion™ Auto-Guard™ Cylinder Connection Cover

Maximize Gas Delivery Safety & Protect
from Harmful Gas Exposure



Working with gases can be a dangerous task. In 2017, 41 U.S. workers died on the job after a single episode of inhaling chemicals and chemical products.¹ And according to the 2020 National Census of Fatal Occupational Injuries, this number has risen in more recent years. The exposure to harmful substances led to 672 worker fatalities in 2020, the highest figure since the series began in 2011.²

Accidental hazardous gas releases can happen for a variety of reasons, including an operator trying to disconnect the wrong cylinder or attempting to disconnect the cylinder before it has been properly purged. **But with the right equipment in place, operators can ensure proper protocols for safe gas handling.**

A Reliable Solution for Operator Safety

SEMI-GAS® Systems offers a controller-activated cylinder connection cover that enhances safety in gas delivery environments. **The Turion™ Auto-Guard™ Cylinder Connection Cover prevents common errors, taking safe operation of gas cabinets to a new level.**

Auto-Guard™ protects gas technicians from exposure to hazardous production materials as well as the integrity of process gas and related equipment by controlling access to active gas cylinder connections.

Optimized for Your Process Requirements

The Auto-Guard™ Cylinder Connection Cover enhances specialty gas operations by preventing accidental disconnection of a hazardous gas cylinder from a gas source manifold.

An extended shroud on the guard clearly indicates that it is unsafe to attempt to disconnect a cylinder, preventing access to the CGA or DISS nut. A retracted shroud on the guard indicates that the system is in a safe state and allows the operator access for disconnection. The cover remains in this retracted position until a cylinder change and/or leak test has been successfully completed.

Confidently Mitigate Hazard Risk with Auto-Guard™

The Auto-Guard™ cover **mitigates hazardous gas releases through its reliable and durable construction.**

The cover is recommended for use with all hazardous production materials and access-restricted gases. Designed for use with SEMI-GAS® Centurion™ Gas Cabinets and compatible with most standard cylinder connections, the low cost cover reduces risk by offering no springs or mechanical components, and pneumatic signals that open and close the device via an automatic controller. If there is an electrical failure or pressure loss, the connection cover shrouds remain in the same position as prior to failure.



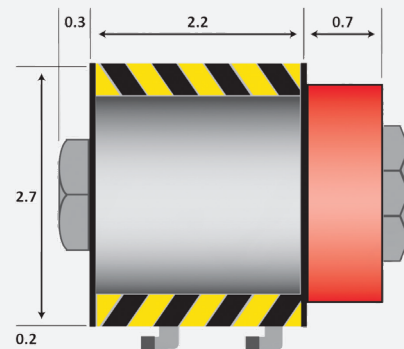
SEMI-GAS® Centurion™ Gas Cabinets for Ultra High Purity Applications

The Auto-Guard™ Cover is best used in partnership with SEMI-GAS® Centurion™ Gas Cabinets, which are made for the most precise ultra high purity applications in the most advanced and stringent production environments.

Centurion™ gas cabinets are designed for the safe housing of hazardous gases. Used by semiconductor leaders for decades, these gas cabinets are world-renowned for their quality, reliability, superior safety, and performance—and are proven to uphold the highest levels of precision and purity. **Available in semi- and fully-automatic designs and a range of cylinder options, Centurion™ gas cabinets can be readily configured to meet the specific requirements of any high tech environment.**

Auto-Guard™ Cylinder Connection Cover Features

- ✓ **Prevents accidental disconnection** of a hazardous gas cylinder
- ✓ **Protects gas technicians** from harmful exposure
- ✓ **Maintains integrity** of process gas and related equipment
- ✓ Recommended for all **HPM or access restricted gases**
- ✓ **Automated operation supports safety** & process equipment consistency
- ✓ **Highly durable,** constructed of stainless steel, anodized 6061-T6 aluminum & corrosion-resistant Viton™ O-Rings
- ✓ **Validated to perform,** with extensive environment and cycle tests performed for over 20 years
- ✓ **100% pneumatically actuated;** device has no springs or mechanical components to fail
- ✓ **Easily installed** on most standard cylinder connection pigtails without equipment modifications



Turion™ Auto-Guard™ Cylinder Connection Cover dimensions

References

1. <https://www.bls.gov/opub/ted/2019/fatal-chemical-inhalations-in-the-workplace-up-in-2017.htm>
2. <https://www.bls.gov/news.release/pdf/cfoi.pdf>

See how accessories like the Auto-Guard™ Cylinder Connection Cover **complement AES' SEMI-GAS® systems to maximize safety.**

LEARN MORE



BROUGHT TO YOU BY



180 Quaker Lane
Malvern, PA 19355 USA
610.647.8744

www.appliedenergysystems.com