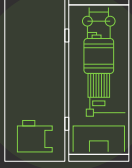




**ARM PURIFICATION**  
BY APPLIED ENERGY SYSTEMS



# NOVA™ Methane Purifier



Beta Product

## SPECIFICATIONS

### GASES PURIFIED

- Methane  $\text{CH}_4$

### DESIGN FLOW RATE

Up to 10 slpm

### IMPURITIES REMOVED

- Moisture ( $\text{H}_2\text{O}$ )
- Oxygen ( $\text{O}_2$ )
- Nitrogen ( $\text{N}_2$ )

### MAXIMUM PRESSURE

150 PSIG

### FILTRATION

Standard 1.5 nm

### HOUSING MATERIAL

316L Stainless Steel

### MANUAL BYPASS

### 1/4" MVCR INLET, OUTLET, AND PURGE INLET

### EXHAUSTED ENCLOSURE

Beta products are a matter of active research and development. Beta purifiers are considered to be prototypes until the expected performance can be empirically validated as actual.

# Nova Series Key Features & Applications

## EASE OF INSTALLATION

Offers a panel within a **compact, vented enclosure alongside an attached heater controller and remote electronics** for ease of installation.

## SAFETY FEATURES

Includes **Argon purge connection and pressure relief device**.

## QUALITY MATERIALS

Utilizes high purity **316L stainless steel with electropolished wetted surfaces**.

## FLEXIBLE POWER OPTIONS

Integrates with several power input options **(for international use)**.

## FLOW RATE VERSATILITY

Allows for **flow rates of up to 10 slpm**.

## APPLICATIONS

The Nova™ Series Purifiers are optimized for a variety of high-precision applications, including:

- Semiconductors & Electronics
- Clean Energy & Solar
- Pharmaceuticals & Biotechnology
- Industrial Manufacturing
- Universities & Research Labs
- Diamond Manufacturing

## Nova Series Power Options

### POWER RECEPTACLE REQUIREMENTS

All NOVA models are for use with single-phase power sources only and require properly grounded and polarized receptacles as shown in the diagrams below.

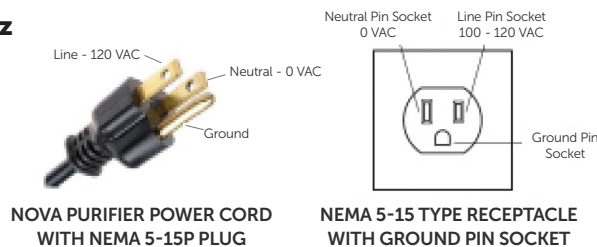
Before plugging in the power cord, verify that power receptacle AC voltage and polarity is correct by measuring voltage with a voltmeter. Measure 0 volts between Neutral and Ground. Measure Line voltage shown between Line and Ground. Incorrect voltage or polarity will damage the Purifier electronic controls or may prevent the purifier from heating correctly.

#### 100-120 VAC, 1 Ø, 50-60 Hz

POWER FUSE INSTALLED: 10A

REQUIRES GROUNDED AND POLARIZED RECEPTACLE

**MODEL -115N**



NOVA PURIFIER POWER CORD WITH NEMA 5-15P PLUG

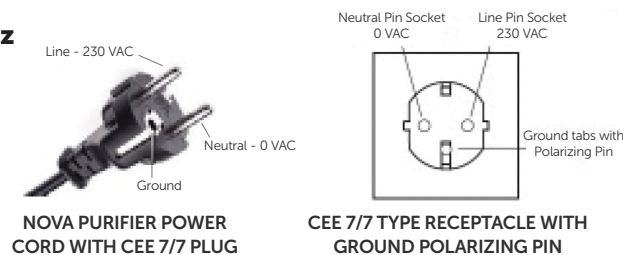
NEMA 5-15 TYPE RECEPTACLE WITH GROUND PIN SOCKET

#### 220-240 VAC, 1 Ø, 50-60 Hz

POWER FUSE INSTALLED: 10A

REQUIRES GROUNDED AND POLARIZED RECEPTACLE

**MODEL -230C**



NOVA PURIFIER POWER CORD WITH CEE 7/7 PLUG

CEE 7/7 TYPE RECEPTACLE WITH GROUND POLARIZING PIN

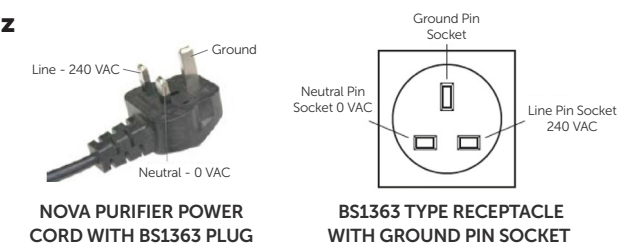
NOTE: Use of non-polarized receptacles such as CEE 7/4 (Schuko) type is not permitted and will damage the Purifier electronic controls if incorrect polarity is encountered.

#### 220-240 VAC, 1 Ø, 50-60 Hz

POWER FUSE INSTALLED: 10A

REQUIRES GROUNDED AND POLARIZED RECEPTACLE

**MODEL -230B**

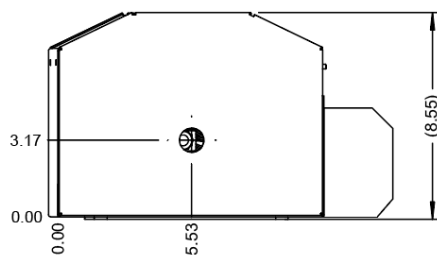
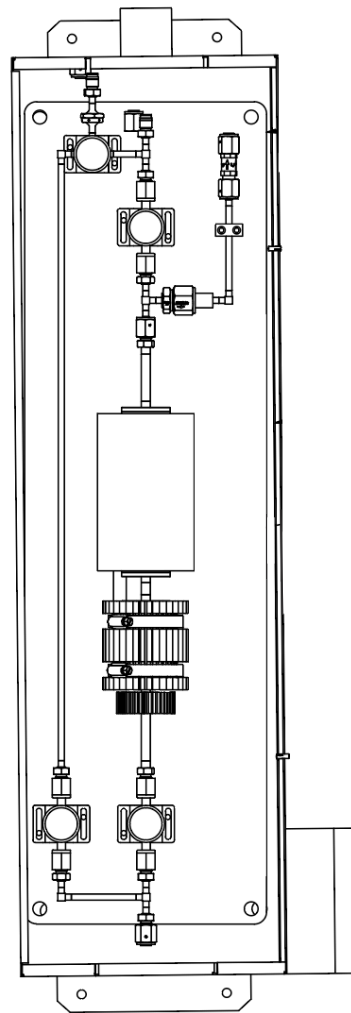
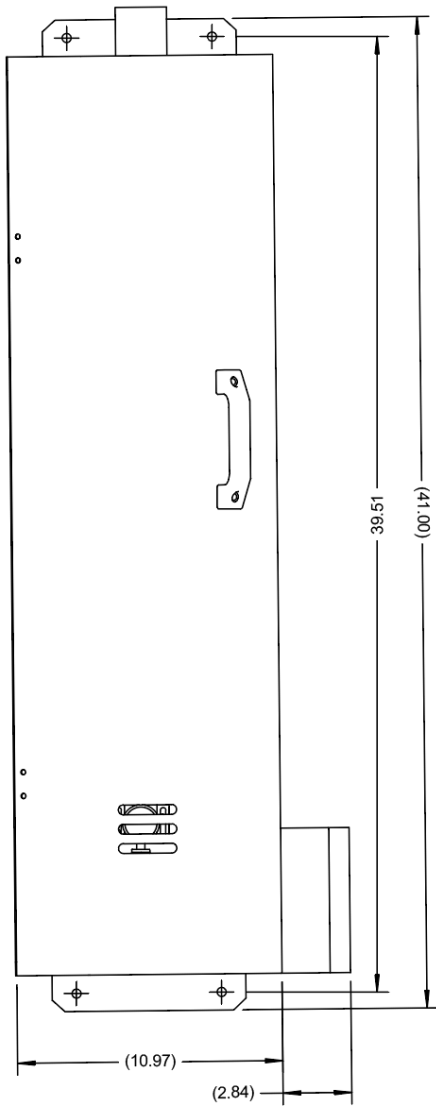
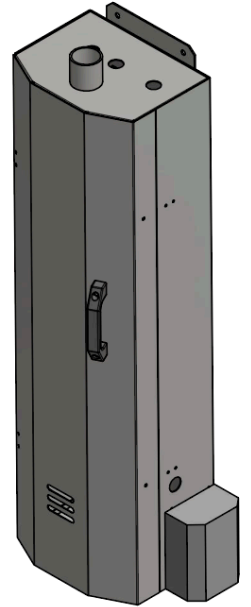
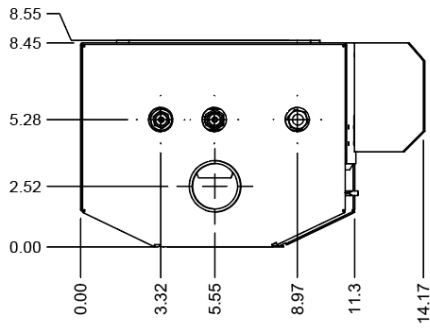


NOVA PURIFIER POWER CORD WITH BS1363 PLUG

BS1363 TYPE RECEPTACLE WITH GROUND PIN SOCKET

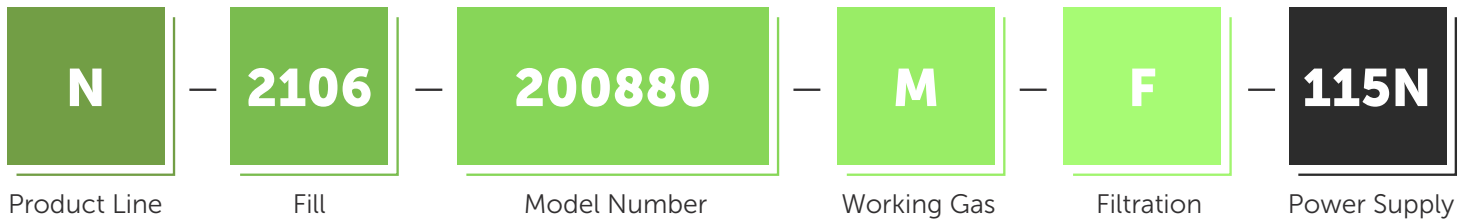
NOTE: Purifier power cord plug also includes a replaceable 13A safety fuse.

# Nova Series Dimensions



# Nova Series Ordering Information

Example: NOVA Methane Purifier



## Product Line

N - Nova Series

## Fill\*

2106 - Methane Media

\*Other options available for rare gases and nitrogen.

## Model Number

200880 - For flow rates up to 10 slpm

## Working Gas

M - Methane CH<sub>4</sub>

## Filtration

F - 1.5 nm filter

## Power Supply

115N - 115V with Nema plug  
 230C - 230V with CEE 7/7 plug  
 230B - 230V with BS 1363 plug

## DON'T SEE WHAT YOU NEED?

Speak to our team about your requirements and we can work with you to identify the purifier solution best suited for your application.

## Place an Order

[orders@appliedenergysystems.com](mailto:orders@appliedenergysystems.com)

Contact your ARM Purification sales rep or visit [armpurification.com/request-quote/](http://armpurification.com/request-quote/)



**ARM PURIFICATION**  
 BY APPLIED ENERGY SYSTEMS

BROUGHT TO YOU BY



[www.appliedenergysystems.com](http://www.appliedenergysystems.com)

180 Quaker Lane  
 Malvern, PA 19355 USA  
 610.647.8744  
[purification@appliedenergysystems.com](mailto:purification@appliedenergysystems.com)  
[www.armpurification.com](http://www.armpurification.com)